

Dryer

Mold Dehumidifier

Conveyor

Temperature Controller

Blender

Granulator

System & Others



APH-1

APH-3

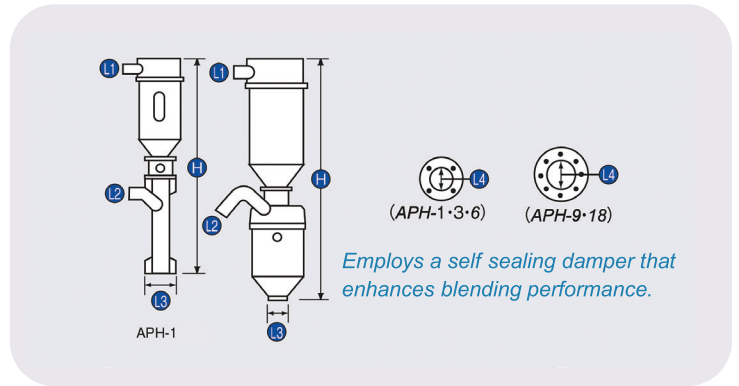
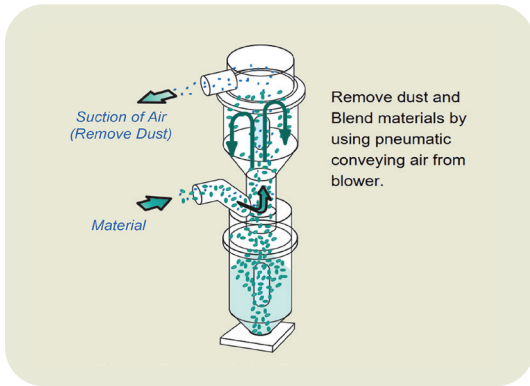
Mixing materials and removal dust

Standard Specification

Unit : mm

Symbol	Model	APH-05	APH-1	APH-3	APH-6	APH-9	APH-18
H		550	744	731.5	855	915	1,095
L1		Ø38	Ø38	Ø38	Ø65	Ø65	Ø65
L2		Ø38	Ø38	Ø38	Ø50	Ø50	Ø50
L3		Ø130	Ø130	Ø130	Ø130	Ø200	Ø200
L4		Ø37	Ø56.5	Ø55	Ø55	Ø110	Ø110
Volume (L)		0.5	1	3	6	9	18
Weighth (kg)		4.0	7.0	7.9	11.1	13.5	18.1

• Built-in hanging type flap damper enhances blending performances.



Aero Power Hopper With Damper

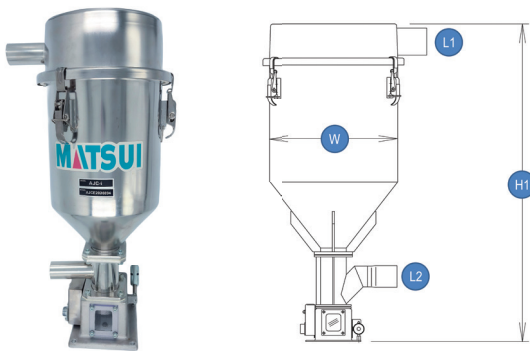
AJC

Volume **3, 6, 9, 18 L**

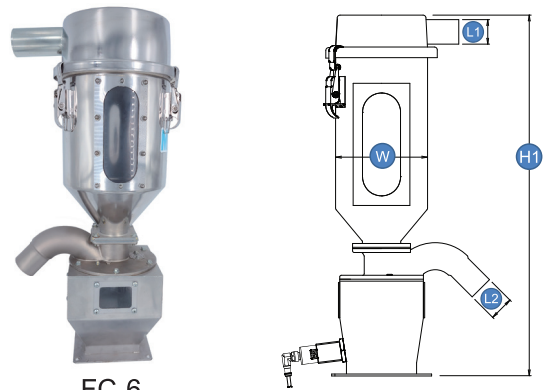
Regrind Hopper

FC

Volume **3, 6, 9, 18 L**



AJC-6



FC-6

Suction Hopper that combines the features of APH and JC

Standard Specification

Unit : mm

Symbol	Model	AJC-3	AJC-6	AJC-9	AJC-18
W		140	200	245	300
H1		566	607	655	746.5
L1		Ø38	Ø38	Ø63.5	Ø63.5
L2		Ø38	Ø38	Ø50	Ø50
Volume (L)		3	6	9	18
Weighth (kg)		4.5	6.0	8.5	10.0

Ideal for conveying regrind pellet

Standard Specification

Unit : mm

Symbol	Model	FC-3	FC-6	FC-9	FC-18
W		140	200	245	300
H1		560.5	636.5	636.5	746.5
L1		Ø38	Ø63.5		
L2		Ø38	Ø50		
Volume (L)		3	6	9	18
Weighth (kg)		6.1	7.4	10.6	12.3